

Skylight Flashing

Cut the roofing panels in the following manner: at the top side 6 inches from the skylight box, at the bottom side as close to box as possible, along the side remove nearest rib if necessary so flashing will bear on panel bottom flange. Prepare the skylight flashing shown in Figure 5. Cut a 1/8" slot in the roof panels at the uphill corners to allow top side flashing to slip under the roofing panel as shown in Figure 6. Place the inside closure with sealant between the roofing panel and the counter flashing and attach. Place side flashing along the skylight box with the upper end of the horizontal leg slid underneath the topside of the flashing. Use sealant between the flashing and roof panel. Install downside flashing with outside closure and sealant between the panel and flashing. Wrap tabs on side flashing around downside flashing and fasten to box. Use sealant wherever necessary to make a watertight curbing. Complete fastening the roof panels and curbing as required.

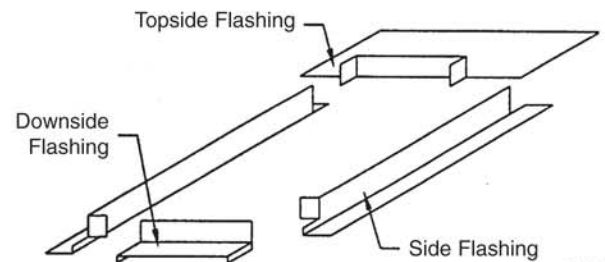
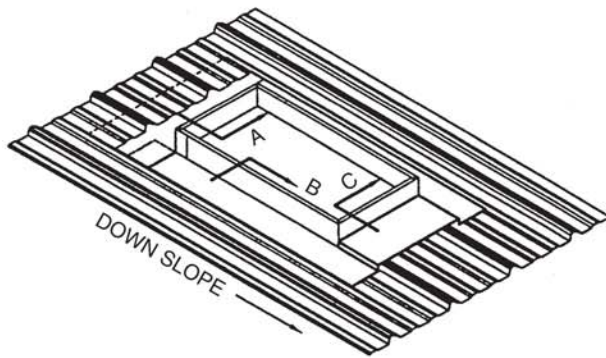
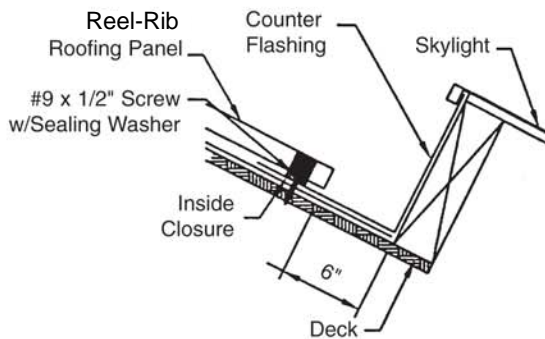
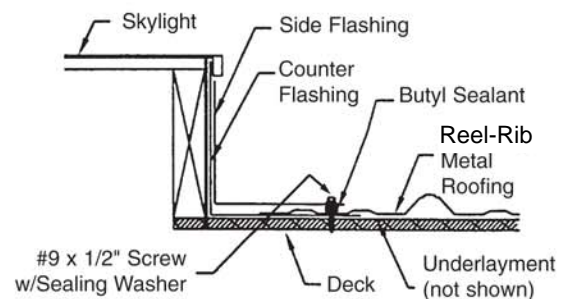


Figure 5

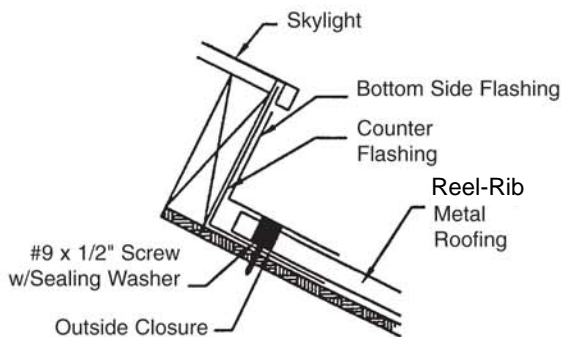
NOTE:
Flashing to be
formed at job site.



Section A



Section B



Section C

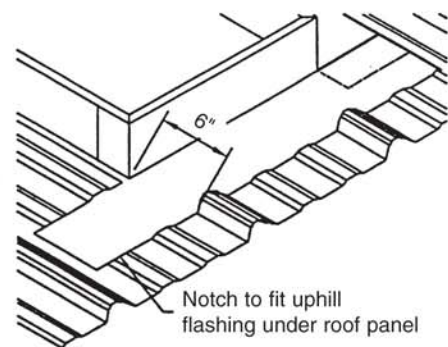


Figure 6