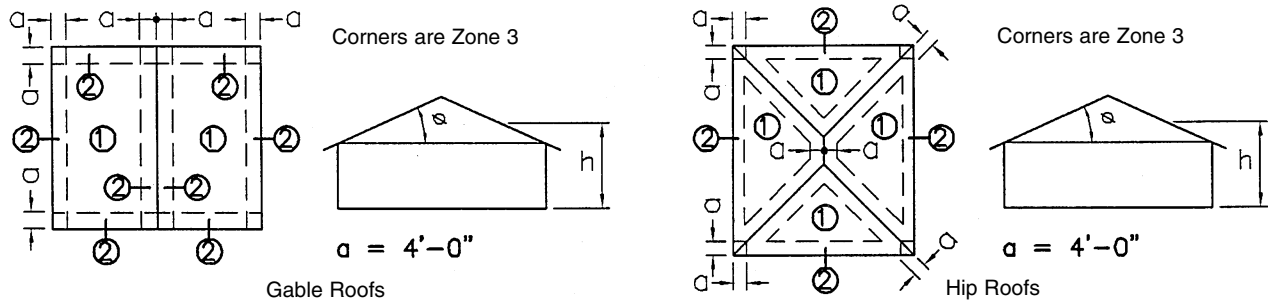


Recommended Fastening Guide

Based on International Residential Code™ 2000*, Table R301.2(2) Component and Cladding Loads for a Building with a Mean Roof Height of 30 feet Located in Exposure B and Roof Slopes 10 to 30 degrees.

WIND (MPH)	ZONE (FORCE - PSF)	DECK	UP. SLOPE FASTENER SPACING Reel-Rib
90	1 (-13.3)	7/16" OSB	24"
		15/32" PLYWOOD	24"
		19/32" PLYWOOD	24"
	2, 3 (-28.2)	7/16" OSB	20"
		15/32" PLYWOOD	20"
		19/32" PLYWOOD	24"
100	1 (-16.5)	15/32" PLYWOOD	24"
		19/32" PLYWOOD	24"
		15/32" PLYWOOD	18"
	2, 3 (-34.8)	19/32" PLYWOOD	24"
		15/32" PLYWOOD	15"
		19/32" PLYWOOD	24"
110	1 (-19.9)	15/32" PLYWOOD	24"
		19/32" PLYWOOD	24"
		15/32" PLYWOOD	15"
	2, 3 (-42.1)	19/32" PLYWOOD	24"
		15/32" PLYWOOD	15"
		19/32" PLYWOOD	24"
120	1 (-23.7)	19/32" PLYWOOD	24"
	2, 3 (-50.1)	19/32" PLYWOOD	20"

* "Copyright 2000, International Code Council, Inc., Falls Church, Virginia. 2000 International Residential Code. Reprinted with permission of the author. All rights reserved."



Fasteners are placed in the bottom flat adjacent to each rib as shown in Figure 6a. At eaves, laps, and ridges, the fasteners are placed on both sides of each rib as shown in figure 6b.



Note: In areas where local building code requirements exceed the above recommendation, the local code will govern.