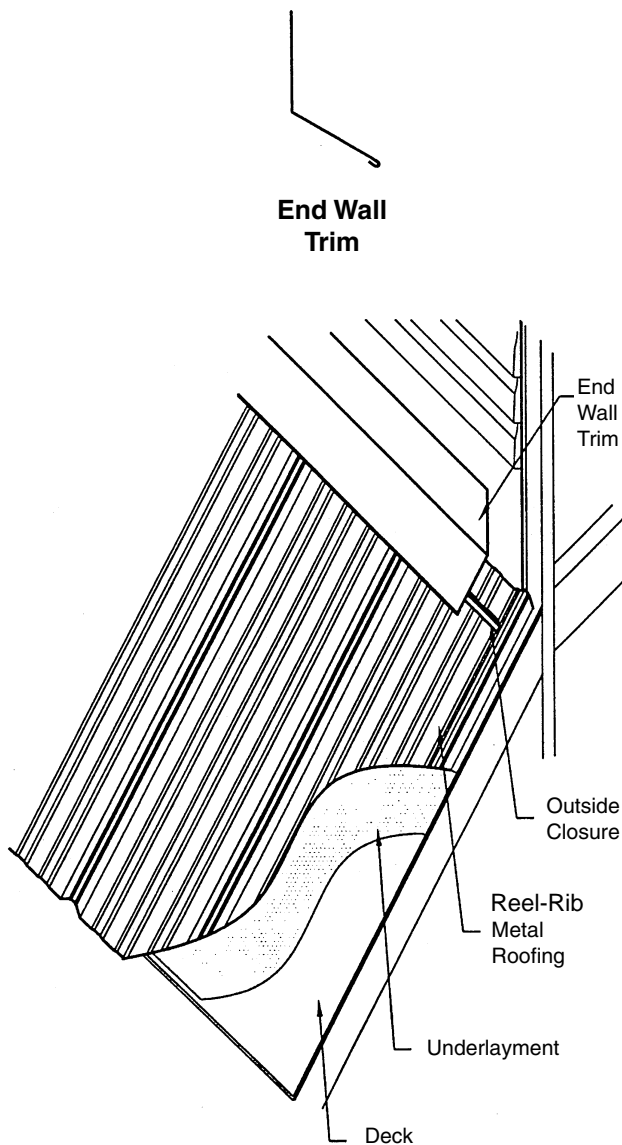


End Wall

Install outside profile closure with mastic prior to setting wall trim. Attach end wall trim with #9 X 1-1/2" metal to wood self-drilling screws through the outside closure at each rib. Attach vertical leg to wall substraight.



Side Wall

Roof should be installed prior to siding. Install counter flashing and attach with roofing nails. Trim panel to fit within 1/2 inch of wall. Install sealant tape on panel and set side wall trim. Attach #9 X 1-1/2" metal to wood self-drilling sealing screws at 12" on center.

